

Oxy Fuel Furnaces

TECO

Oxy Fuel Furnaces

Introducing...

Oxy-fuel melting generally makes fuel-fired glass furnaces more efficient than ordinary air fuel furnaces.

They eliminate the need for regenerators or recuperators, which simplifies furnace operation and maintenance. Furnace campaign life is then determined by the melter alone, due to the elimination of regeneration equipment.

A correctly designed oxy-fuel furnace will result in improved glass quality and can increase glass melting capacity.

Innovation creates:

Improved efficiency

Eliminates the need for combustion fan, and enables an improvement in fuel efficiency providing energy savings

Improved glass quality

Best use of refractories and design enhancements minimise glass defects

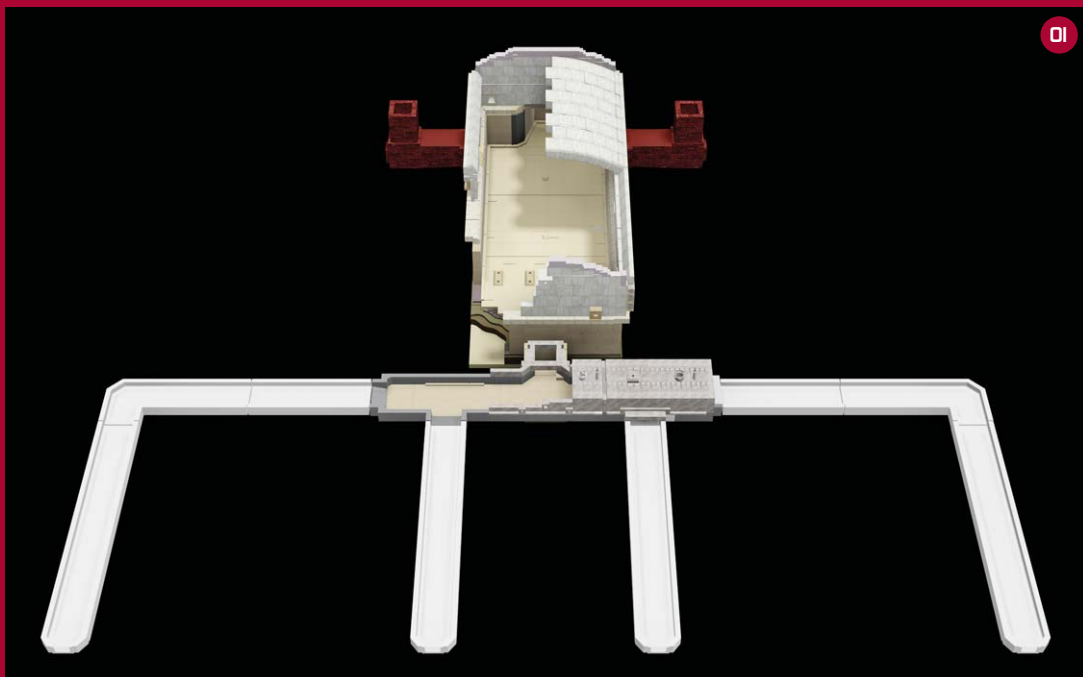
Long campaign life

Innovative design features allow maximum resistance to wear

Reduced emissions

Generation of NOx is minimised

Simplified maintenance

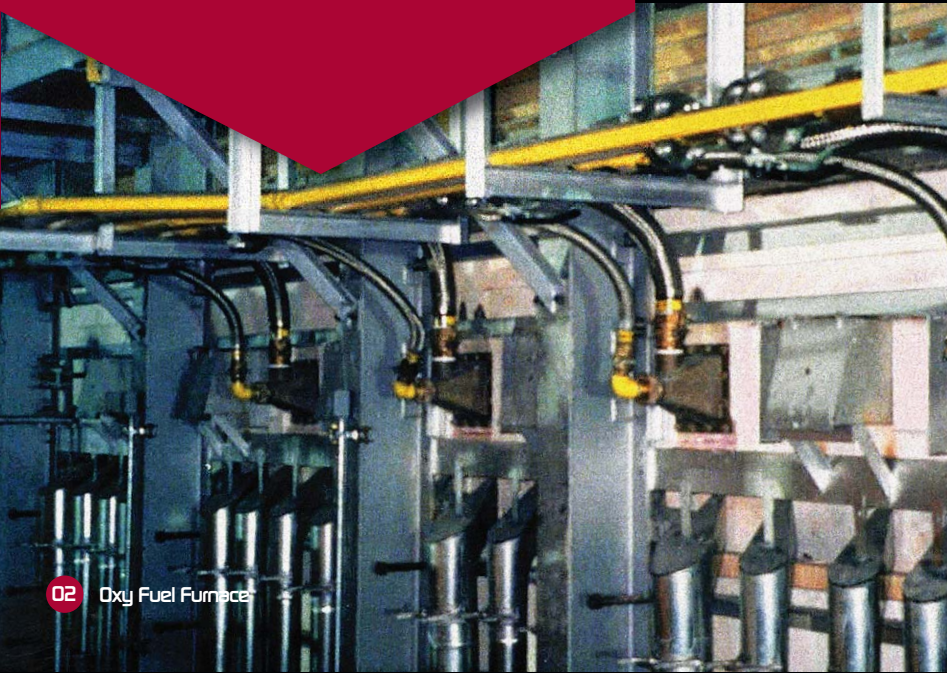


OI Diagram 1
Typical oxy fuel furnace

For more information about our individual services please contact us:

Telephone: +1-419-537-9711
Email: sales@teco.com
www.teco.com

Improved Efficiency & Environmentally Friendly



02 Oxy Fuel Furnace

Oxy-fuel furnaces are an ideal way of reducing emissions as they virtually eliminate nitrogen from the production process.

NOx emissions are substantially reduced.

Furnace efficiency is improved as the need for heat recovery systems is removed with the elimination of the combustion air fan and reduction of hot fan energy requirements.

TECO technology: the difference is clear

Two of the main benefits of an oxy-fuel furnace are the improvement in glass quality that can be achieved and the increase in campaign life.

The key factor in making this happen however lies in the design solution. This is where the experience and technology held within TECO proves invaluable. Our integrated approach to all aspects of furnace design and required operating parameters allows us to provide site-specific, custom solutions for every application.

Our extensive knowledge of glass melting processes makes us uniquely qualified to evaluate limiting factors such as fuel cost, oxygen and emission control, increased throughput, production gain and glass quality in order to deliver a successful project plan and implementation.

OXY FUEL FURNACES

ONE GROUP - SIX COMPANIES

As part of the TECO Group, Toledo Engineering, Tecoglas and KTG Systems can offer complete capabilities in glass furnaces of all types, with KTG Engineering supporting this activity as glass plant equipment manufacturers. Zedtec are the TECO Group specialists in forehearth and working end technology. EAE Tech provides high quality industrial automation engineering services and custom control systems.

The TECO Group has been serving the world's primary glass manufacturing industry since 1927.



www.teco.com

ONE GROUP - SIX COMPANIES

TECO[®]

TOLEDO ENGINEERING CO.

Toledo Engineering Co., Inc.
3400 Executive Parkway
P.O. Box 2927
Toledo
OH 43606-2927
USA

Telephone:
+1-419-537-9711

Email:
sales@teco.com

www.teco.com

TECOGLAS

Tecoglas Ltd.
60 Savile Street East
Sheffield
South Yorkshire
S4 7UQ
United Kingdom

Telephone:
+44 (0) 114 275 9020

Email:
sales@tecoglas.com

www.tecoglas.com

ZEDTEC

Zedtec Ltd.
60 Savile Street East
Sheffield
South Yorkshire
S4 7UQ
United Kingdom

Telephone:
+44 (0) 114 275 1248

Email:
sales@zedtec.com

www.zedtec.com

KTG ENGINEERING

KTG Engineering Ltd.
60 Savile Street East
Sheffield
South Yorkshire
S4 7UQ
United Kingdom

Telephone:
+44 (0) 114 275 9955

Email:
sales@ktgengineering.com

www.ktgengineering.com

KTG SYSTEMS, INC.

KTG Systems, Inc.
Stonewood Commons I
101 Bradford Road
Suite 110
Wexford
PA 15090-6909
USA

Telephone:
+1-724-940-0330

Email:
sales@ktgsi.com

www.ktgsi.com

EAE TECH

EAE Tech, Inc.
3400 Executive Parkway
Toledo
OH 43606
USA

Telephone:
+1-419-873-0000

Email:
admin@eaetech.com

www.eaetech.com